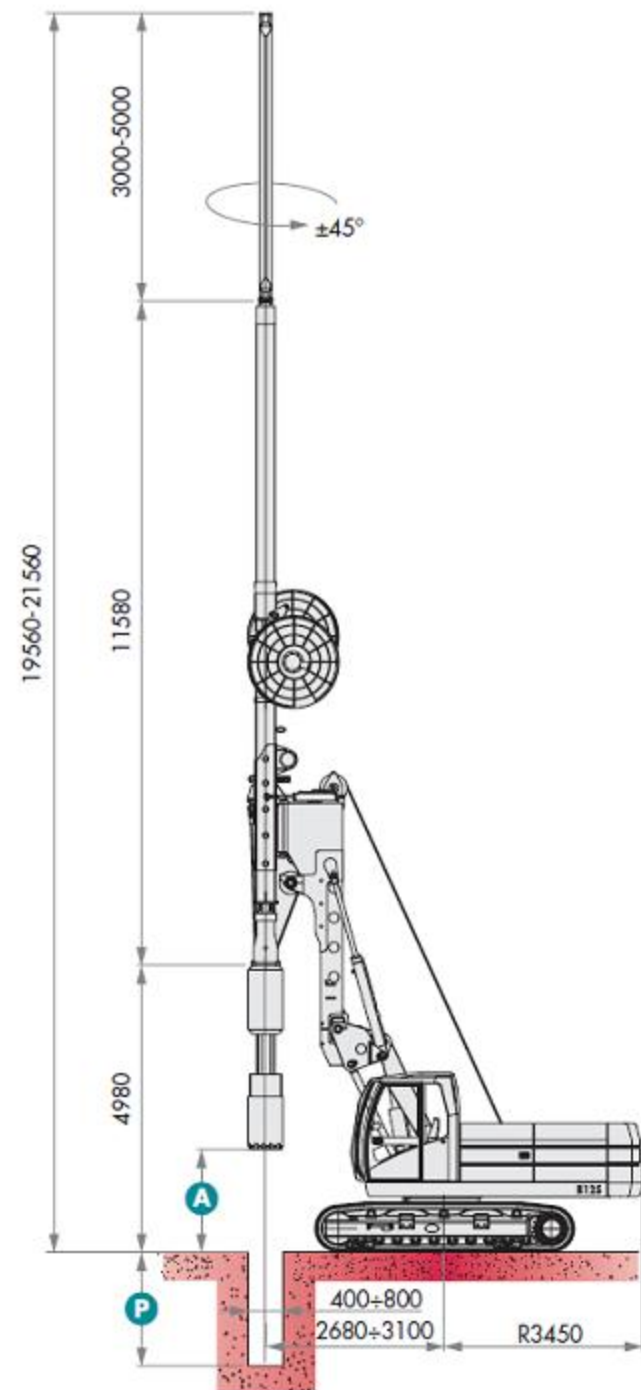


# Allestimento diaframmi KRC KRC diaphragm wall

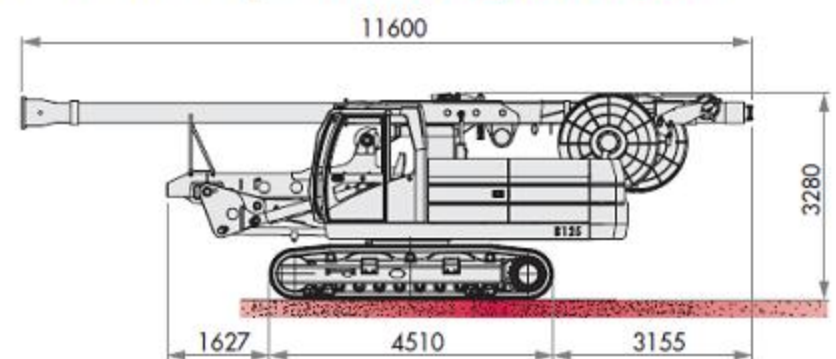
# B125



## Benna idraulica • Hydraulic Grab

	<b>K 2200</b>	<b>K 2500</b>
<b>A</b> Altezza da terra a valve chiuse / Height with closed jaws	2280 / 7.5	1780 / 5.8
<b>C</b> Prolunga / Extension	<b>P</b> m/ft	<b>P</b> m/ft
-	23,4/76.8	23,9/78.4
3000	26,4/86.6	26,9/88.3
5000	28,4/93.2	28,9/94.8

## Fase di trasporto • Transport mode



## Dati tecnici Technical Specifications

# B125



<b>Prestazioni Pali</b>	<b>Piling</b>		
Profondità max.	Max. depth	164 ft	50 m
Diametro max.	Max. diameter	59 in	1500 mm
Diametro max. con tubo - Martinetto pull-down	Max. diameter with casing - Crowd ram	59 in	1500 mm
Diametro max. con tubo - Argano pull-down	Max. diameter with casing - Crowd winch	47 in	1200 mm
Diametro max. con morsa giracolonna	Max. diameter with casing oscillator	39 in	1000 mm
<b>Elica continua C.F.A.</b>	<b>C.F.A. continuous flight auger</b>		
Profondità max.	Max. depth	65 ft	20 m
Diametro max.	Max. diameter	31 in	800 mm
<b>Diaframmi</b>	<b>Diaphragm wall</b>		
Profondità max.	Max. depth	95 ft	29 m
Lunghezza max. scavo	Max. length of trench	82 in	2500 mm
Larghezza max. scavo	Max. width of trench	31 in	800 mm

<b>Caratteristiche Carro</b>	<b>Undercarriage</b>		
Larghezza cingoli chiusi	Width with retracted tracks	8.2 ft	2500 mm
Larghezza cingoli aperti	Width with extended tracks	12.1 ft	3700 mm
Lunghezza cingoli	Track length	14.8 ft	4510 mm
Larghezza pattini	Shoes width	24 in	600 mm
<b>Motore</b>	<b>Engine</b>	<b>Cummins QSB 6.7 Turbocharged (EPA/COM III)</b>	
Potenza a 2200 rpm	Power at 2200 rpm	220 HP	164 kW
<b>Argano principale</b>	<b>Main winch</b>		
Tiro max.	Max. line pull	30,350 lbs	135 kN
Velocità max. fune	Max. line speed	236 ft/min	72 m/min
<b>Argano ausiliario</b>	<b>Auxiliary winch</b>		
Tiro max.	Max. line pull	15,740 lbs	70 kN
Velocità max. fune	Max. line speed	243 ft/min	74 m/min
<b>Argano principale uso KRC</b>	<b>Main winch for KRC use</b>		
Tiro max.	Max. line pull	25,180 lbs	112 kN
Velocità max. fune	Max. line speed	305 ft/min	93 m/min
<b>Testa rotary</b>	<b>Rotary head</b>	<b>H12.20</b>	
Coppia max.	Max. torque	82,607 lb ft	112 kNm
Velocità max. lavoro	Max. drilling speed	33 rpm	33 rpm
Velocità di scarico	Discharge speed	130 rpm	130 rpm
<b>Martinetto pull-down</b>	<b>Crowd ram</b>		
Tiro max.	Max. line pull	33,272 lbs	148 kN
Spinta max.	Max. crowd	25,630 lbs	114 kN
<b>Argano pull-down</b>	<b>Crowd winch</b>		
Tiro max.	Max. line pull	54,000 lbs	240 kN
Spinta max.	Max. crowd	54,000 lbs	240 kN
<b>Peso</b>	<b>Weight</b>		
Attrezzatura in condizioni di lavoro	Weight in working condition	~80,250 lbs	~36500 kg